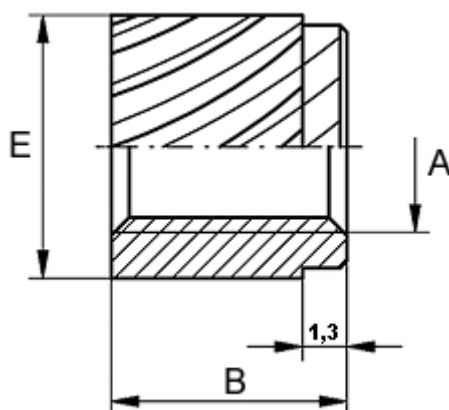


Article number: 12890000040100
Description: KLEE-coil 890 000 040.100
M4 Hardened/zinc-pl.

Measures



Female thread A	= M4
Length B	= 6.9
Min material thickness	= 2.4
Outer diameter E	= 7.7
Recommended bore diameter	= 7.2
Type	= 890 000 040.100